

# Safety Relay SCR ON

## For the safe evaluation of signals

The SCR safety relays are used to reliably evaluate signals, such as those generated by BERNSTEIN position switches, safety switches, safety latching devices, safety rope pull switches, safety sensors or 2-hand controllers.

With their compact standard mounting rail enclosure, BERNSTEIN SCR relays impress in a wide variety of applications up to performance level e as defined by EN 13849. Conforming to this standard, the SCR relays monitor the correct position and reliable operation of safety sensors and or contacts in safety switches. This evaluation function is used to actuate power elements such as power contactors or frequency converters and stop machines in the case of emergency.


### Safety relay for monitoring sensors with PNP or OSSD outputs

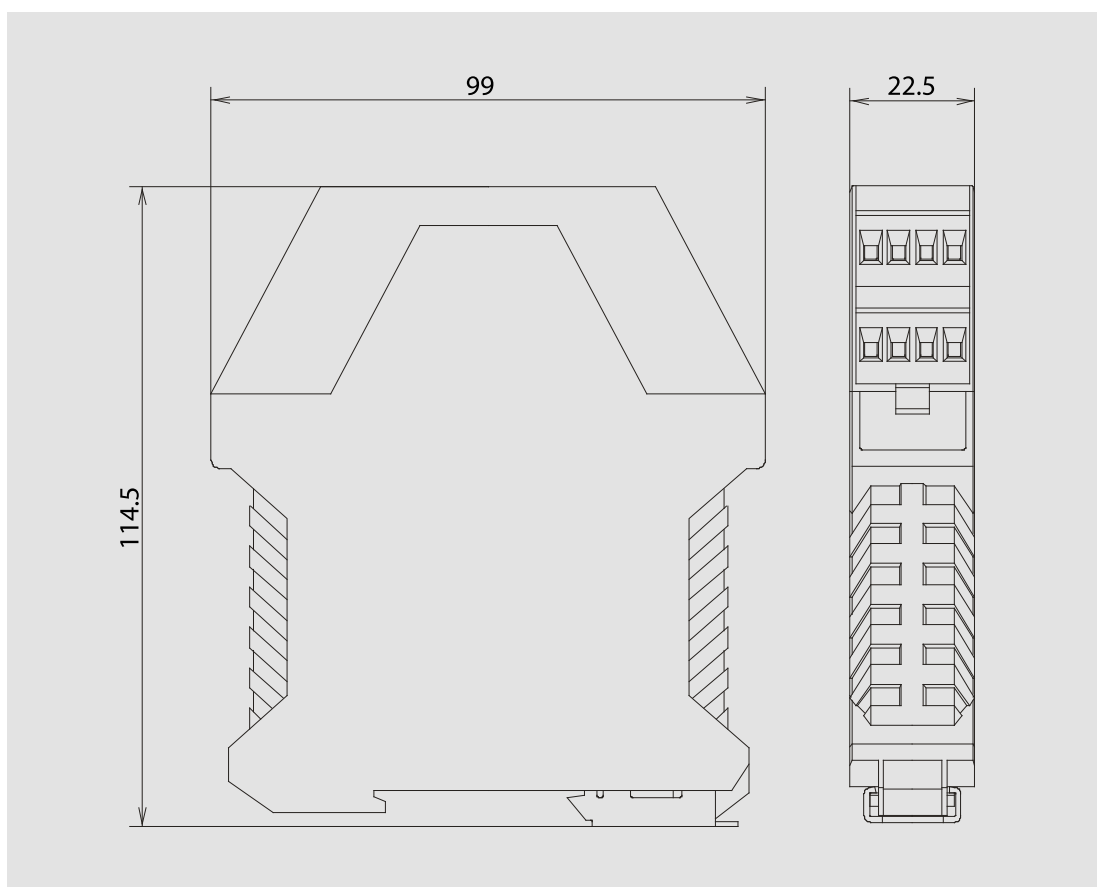
#### PRODUCT-HIGHLIGHTS

- Compact standard mounting rail enclosure
- Application possibility up to Performance Level e according to EN 13849
- Monitoring of the correct position and reliable function of the safety sensors
- Control of power elements, such as power contactors or frequency converters, and stopping of the machine in case of emergency



### Order data SCR ON

| Picture   | Designation       | Article number | Description                           |
|---|-------------------|----------------|---------------------------------------|
|  | SCR ON4-W22-3.6-S | 6075111020     | Monitoring of sensors with PNP output |



## Technical data

### Product information

- Dimensions: 22,5 × 99 × 114,5 mm (W×H×D)
- Weight: approx. 200 g

### Electrical data

- Rated operational voltage: 24 V AC / 50 Hz, 24 V DC
- Switching capacity of the enable paths: AC 15 : 230 V / 6 A
- Utilization categories: DC 13 : 24 V / 6 A
- Rated insulation voltage: 240V AC

### Mechanical data

- Enclosure material: Polyamide PA 6.6
- Operating temperature: 0°C to +70°C
- Protection class: IP 40, IP 20 for clamping area

